

**SAINIK SCHOOL IMPHAL**  
**NDA MOCK TEST**  
**GAT (SET-18)**

**DATE:**

**TIME: 2 ½ HOURS (1600-1830)**

**MAX. MARK: 600**

---

**GENERAL INSTRUCTIONS:**

- (i) All 150 questions carry 4 marks each.
- (ii) There will be penalty of 1/3 of the mark assigned to that question (i.e. 1.33) for each wrong answer marked by the candidate.
- (iii) You have to mark your response by completely blackening with black ball pen, to indicate your response.

---

**Direction-(Q.1 to 9):** Each of the following items consists of a word in capital letters, followed by four word(s) that is **most similar** in meaning to the word in capital letters

1. EULOGY  
(a) Criticism      (b) High praise      (c) Confidence      (d) A lament for the dead
2. REBATE  
(a) Loss              (b) Compensation      (c) Refund              (d) Discount
3. BLITHE  
(a) Graceful          (b) Giddy              (c) Joyous              (d) Other-worldly
4. KAOLIN  
(a) Soil              (b) Stone              (c) Sand              (d) Clay
5. HUFFY  
(a) Frustrated      b) Tired              (c) Rough              (d) Angry
6. HOODWINK  
(a) To cheat          (b) To mislead          (c) To misguide          (d) To impose on
7. MIFFED  
(a) Baffled              (b) Felicitated          (c) Admired              (d) Annoyed
8. PROWESS  
(a) Expertise          (b) Affluence          (c) Influence              (d) Ignorance
9. LATENT  
(a) Hard              (b) Concealed          (c) Visible              (d) Display

**Directions (Q.10 to 18):** Each of the following items consist of a word in capital letters, followed by four words or group of words. Select the word or groups of words that is **most nearly opposite** in meaning to the word in capital letters.

10. BEGUILE  
(a) Flatter              (b) Smile              (c) Cheat              (d) Persuade
11. COARSE

- (a) Beautiful      (b) Attractive      (c) Fine      (d) Smart
12. DISDAIN  
(a) Praise      (b) Equivocate      (c) Salvage      (d) Turbulence
13. INDUCE  
(a) Flatter      (b) Flow      (c) Push      (d) Move
14. AVENGE  
(a) Exempt      (b) Reward      (c) Save      (d) Forgive
15. SEDATE  
(a) Lacking in confidence      (b) Weak      (c) Flippant      (d) Ill-informed
16. ABORTIVE  
(a) Vain      (b) Useless      (c) Futile      (d) Efficient
17. ACCEDE  
(a) Comply      (b) Approve      (c) Protest      (d) Agree
18. ADROID  
(a) Clever      (b) Expert      (c) Proficient      (d) Dull

**Directions (Q.19 to 26):** In each of the following sentences one blank space is left. Pick up from the alternative one, which will fill the blank space correctly.

19. A man who connives \_\_\_\_\_ the faults of his children is their worst enemy.  
(a) on      (b) with      (c) at      (d) for
20. The modern club is simply a more refined substitute \_\_\_\_\_ the old fashioned tavern.  
(a) with      (b) at      (c) for      (d) of
21. India is teeming \_\_\_\_\_ millions of people.  
(a) in      (b) at      (c) with      (d) on
22. He is decidedly \_\_\_\_\_ any kind.  
(a) human      (b) humane      (c) humanity      (d) human being
23. Every animal take care of their \_\_\_\_\_.  
(a) children      (b) progeny      (c) off-spring      (d) none of these
24. The applicant being ill \_\_\_\_\_ to go home.  
(a) he is allowed      (b) is allowed      (c) allowed      (d) allowed he is
25. He looks like \_\_\_\_\_ better  
(a) getting      (b) going to get      (c) to get      (d) of getting
26. She \_\_\_\_\_ a brief appearance at the end of the party.  
(a) put on      (b) put in      (c) put across      (d) put up

**Directions (Q.27 to 31):** The sentences given below are underlined in three separate parts and each one is labelled (a), (b) and (c). Read each sentence to find out whether there is an error in any underline part. You may feel that there is no error in a sentence. In that case letter (d) will signify a 'No error' response.

27. The young child (a) singed (b) a very sweet song. (c) No error (d)
28. We worked (a) very hard (b) throughout the season. (c) No error (d)
29. She stood off (a) from the crowd (b) because of her height and flaming red hair. (c) No error (d)
30. I am learning English (a) for ten years (b) without much effect. (c) No error (d)
31. Your husband does not (a) believe that you are older (b) than I. (c) No error (d)

**Directions (Q.32 to 36) :** In each of the following questions, the first and the last part of the given sentence are numbered  $S_1$  to  $S_6$  respectively. The rest of the sentence is split into four parts and named P, Q, R and S. These four parts are not given in their proper order. Read the sentence and find out which set of the four combinations is correct. Then find the correct answer and indicate on the Answer sheet:

32.  $S_1$  : A study  
 P : success increases  
 Q : concludes that  
 R : and chances for  
 S : commitment to future tasks  
 $S_6$  : future success.  
 The proper sequence should be:  
 (a) RQPS (b) SRQP (c) QPSR (d) PSRQ
33.  $S_1$  : putting it another way,  
 P : what we see as our  
 Q : our goals throughout our lives  
 R : we are constantly resetting  
 S : in response to  
 $S_6$  : wins and losses.  
 The proper sequence should be:  
 (a) RQSP (b) QPRS (c) PRSQ (d) RSQP
34.  $S_1$  : studies of Nobel laureates show that  
 P : or encounter professional  
 Q : and have strained relationship with friends and colleagues  
 R : they often publish less frequently  
 S : after winning the prize

S<sub>6</sub> : every and rivalry.

The proper sequence should be:

- (a) SRQP                      (b) RQPS                      (c) QPSR                      (d) PSRQ

35. S<sub>1</sub> : There is  
P : no such thing  
Q : from one nation  
R : as the gift  
S : of the independence  
S<sub>6</sub> : to another

The proper sequence should be:

- (a) SPQR                      (b) PRSQ                      (c) QPRS                      (d) RSPQ

36. S<sub>1</sub> : People, who  
P : are terrible  
Q : no way of taking  
R : there is  
S : have no weaknesses  
S<sub>6</sub> : advantage of them.

The proper sequence should be:

- (a) PSQR                      (b) RSPQ                      (c) SPRQ                      (d) QSRP

**Directions (Q.37 to 42):** In the following passage there are blanks, each of which has been numbered. These numbers are printed below the passage and against each, a choice of four words is given, one of which is most appropriate. Choose the word that is most appropriate. Mark the letter, viz a, b, c, d relating to this word:

Smallpox, the most devastating and feared pestilence in human history, is making its last stand in two remote areas of Ethiopia, one in the desert and one in the mountains.

As of the end of August, 37 five villages had experienced cases 38 the preceding eight weeks. More 39 the onset of the last 40 case was on 9<sup>th</sup> August. 41 man is the only known 42 of the smallpox virus, the disease should be eliminated forever when the last infected person recovers.

37. (a) rarely                      (b) the                      (c) only                      (d) many  
38. (a) in                      (b) about                      (c) of                      (d) for  
39. (a) necessarily                      (b) importantly                      (c) urgently                      (d) luckily  
40. (a) found                      (b) remembered                      (c) known                      (d) seen  
41. (a) because                      (b) when                      (c) while                      (d) is  
42. (a) culprit                      (b) reservoir                      (c) producer                      (d) only

**Directions (Q.43 to 47):** Read the following passage carefully and answer the questions given below:

Long ago, Emperor wrote: 'A man's tasks is his life-preserver'. This seems to be remarkably correct in our modern life. The man without task is like a ship without a ballast and anchor, he is all too often merely a drifter. Few men seem to have initiative enough to choose a task for themselves if they do not need to work. When the inevitable disappointments come, as they assuredly will, they are completely overwhelmed. But the man who has his task, has no time for vain regret, he escapes the disastrous fate in which overtakes his less fortunate brother. Work is one of the greatest safety valves which was ever invented, and youth especially needs it.

43. It seems to be remarkably correct in modern life that:
- (a) a man has enough leisure
  - (b) youth needs less work and more rest
  - (c) the correct choice of the task preserves one's life.
  - (d) men fail to choose a task for themselves.
44. The expression 'safety – valve' means:
- (a) something which blows up safety
  - (b) an outlet for rent-up energy
  - (c) something which guarantees safety
  - (d) a leaf of a folding door
45. A ship without ballast and anchor:
- (a) is in great danger
  - (b) merely drifts
  - (c) is very safe
  - (d) may not go in the right direction
46. A man who suffers from vain regrets must:
- (a) have chosen his life's work rather carelessly
  - (b) meets with disastrous fate
  - (c) been a victim of adverse circumstances to do
  - (d) is very safe.
47. A person who has chosen the right task has no limit to regret because he:
- (a) is engrossed in his work
  - (b) has too much to do
  - (c) has succeeded in life
  - (d) has a safe and secured life

**Directions (Q.48 to 50):** Each of the following idioms is followed by four alternatives. Indicate which is correct:

48. To put two and two together  
(a) To bear the brunt of  
(b) To conclude from obvious fact  
(c) To put off  
(d) To put on a false appearance.
49. To wash dirty linen in public  
(a) To quarrel openly  
(b) To clean solid linen  
(c) To understand the hidden meaning of the word  
(d) To wash dirty clothes.
50. To read between the lines  
(a) To suspect  
(b) To read carefully  
(c) To understand the hidden meaning of the word  
(d) To do useless things.
51. Which of the following statement is correct?  
(a) Both sound and light waves in air are longitudinal.  
(b) Both sound and light waves in air are transversal.  
(c) Sound waves in air are transverse and light waves longitudinal.  
(d) Sound waves in air are longitudinal and light waves transverse.
52. A particle is moving in a circle with uniform speed. Its motion is  
(a) periodic and simple harmonic      (b) periodic but not simple harmonic.  
(c) oscillatory      (d) None of the above
53. Two teams are pulling a rope with equal and opposite forces each of 5 kN in a tug of war so that a condition of equilibrium exists. What will be the tensile force in the rope?  
(a) Zero      (b) 2.5 kN      (c) 5 kN      (d) 10 kN
54. Heat energy from sun reaches the earth by  
(a) scattering   (b) conduction      (c) radiation      (d) convection

55. *Directions:*

This question consists of two statements, Statement I and Statement II. You are to

examine these two statements carefully and select the answers to these items using the code given below :

Statement I :

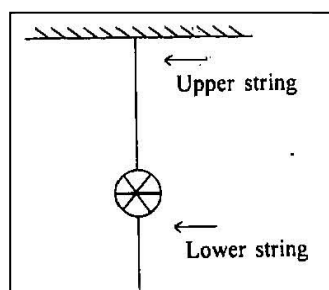
A thermos flask is made of double-walled glass bottles.

Statement II :

Metals are good conductors while gas and air are poor conductors of heat.

Code :

- (a) Both the statements are individually true and Statement II is the correct explanation of Statement I.  
(b) Both the statements are individually true but Statement II is not the correct explanation of Statement I.  
(c) Statement I is true but Statement II is false  
(d) Statement I is false but Statement II is true
56. A converging lens is used to form an image on a screen. When the upper half of the lens is covered by an opaque screen  
( a ) half the image will disappear                      ( b ) complete image will be formed  
( c ) intensity of the image will increase              ( d ) intensity of the image will decrease
57. The magnetic lines of force due to a bar magnet  
(a) intersect inside the body of the magnet                      (b) intersect at neutral points only  
(c) intersect only at north and south poles                      (d) cannot intersect at all
58. A pendulum clock is set to give correct time at the sea level. The clock is moved to a hill station at an altitude 'h' above sea level. In order to keep correct time on the hill station which one of the following adjustments is required?  
(a) The length of the pendulum has to be reduced  
(b) The length of the pendulum has to be increased  
(c) The mass of the pendulum has to be increased  
(d) The mass of the pendulum has to be reduced
59. A heavy ball is suspended as shown in the figure given below.



A quick jerk on the lower string will break that string but a slow pull on the lower string will break the upper string. The first result occurs because ;

- (a) the force is too small to move the ball  
 (b) air friction holds the ball back  
 (c) of action and reaction  
 (d) the ball has inertia

60. A light body and heavy of different masses have equal linear momentum. Which body possesses higher kinetic energy?

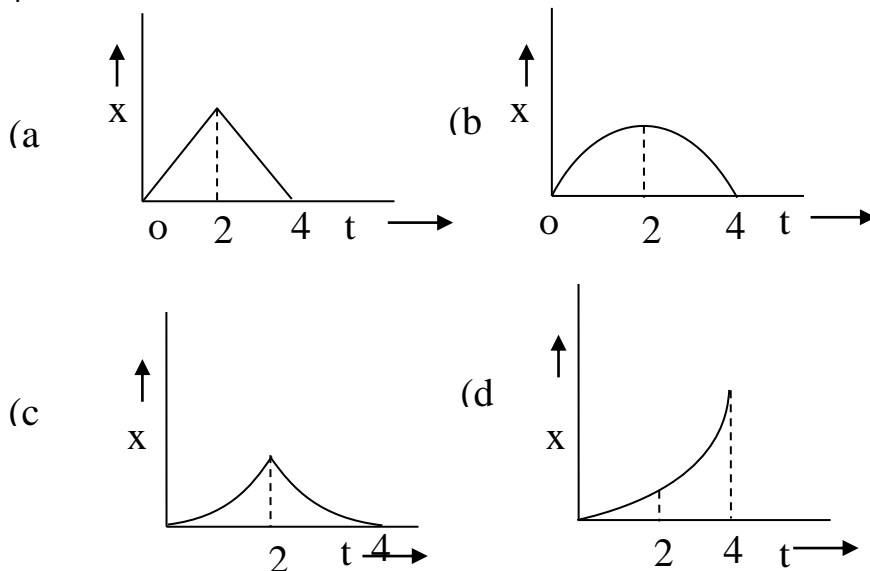
- (a) light body  
 (b) heavy body  
 (c) equal value  
 (d) None of the above

61. Consider two hollow glass spheres, one containing water and the other containing mercury. Each liquid fills about one-tenth of the volume of the sphere. In zero gravity environment

- (a) water and mercury float freely inside the sphere  
 (b) water forms a layer on the glass, while mercury floats  
 (c) mercury forms a layer on the glass, while water floats  
 (d) water and mercury both form a layer on the glass

62. A particle starts from rest, accelerates uniformly for 2 seconds and then decelerates uniformly for 2 seconds and comes to rest.

Which one of the following displacement (x) - time (t) graphs represents the motion of the particle?



63. A body attached to a spring balance weighs 10 kg on the Earth. The body attached to the same spring balance is taken to a planet where gravity is half that of the Earth. The balance will read

- (a) 20kg  
 (b) 10 kg  
 (c) 5 kg  
 (d) 2.5 kg

64. Nuclear fusion reactions require very high temperature so as to overcome

- (a) van der Waals' forces  
 (b) Nuclear forces  
 (c) Gravitational forces  
 (d) Coulomb forces



Consider the following statements in question number 65 and 66:

65. An external pressure  $P_0$  is applied to the surface of a liquid in a container. Then,
1. the pressure on all side-walls increases by  $P_0$ .
  2. the pressure on the bottom wall increases by  $P_0$ .
  3. the pressure at all points inside the liquid increases by  $P_0$ .

Which of the statements given above are correct?

- (a) 1, 2 and 3  
(b) 1 and 2 only  
(c) 1 and 3 only  
(d) 2 and 3 only

66. If there were no capillarity
1. it would be impossible to use a kerosene lamp.
  2. one would not be able to use a straw to consume a soft drink.
  3. the blotting paper would fail to function.
  4. there would have been no plants on the earth.

Which of the statements given above are correct?

- (a) 1, 2 and 4 only  
(b) 1, 3 and 4 only  
(c) 2 and 3 only  
(d) 1, 2, 3 and 4

67. Which one among the following is the most appropriate statement with respect to the atomic weight of an element?

- (a) The atomic weight of an element is the sum total of the number of protons and neutrons present in the atom of the element.  
(b) Unlike mass number, the atomic weight of an element can be a fraction.  
(c) The atomic weight of an element is a whole number.  
(d) The atomic weight of all the atoms in an element is the same.

68. For a steel boat floating on a lake, the weight of the water displaced by the boat is

- (a) less than the weight of the boat  
(b) more than the weight of the boat  
(c) equal to the weight of the part of the boat which is below the water level of the lake  
(d) equal to the weight of the boat.

69. Which one of the following is correct?

A negatively charged glass rod has always

- (a) less electrons than protons  
(b) less electrons than neutrons  
(c) less protons than electrons  
(d) less neutrons than protons

70. Consider the following pans of spectra:
- |            |             |                |              |
|------------|-------------|----------------|--------------|
| 1. Visible | 2. Infrared | 3. Ultraviolet | 4. Microwave |
|------------|-------------|----------------|--------------|

Which one of the following is the correct sequence in which their wavelengths increase?

- |             |             |
|-------------|-------------|
| (a) 4-3-1-2 | (b) 4-1-2-3 |
| (c) 3-2-1-4 | (d) 3-1-2-4 |

71. Assertion (A):

A domestic electric appliance working on 3-pin plug will continue working even if the top pin is removed.

Reason (R) :

The top pin is used only as a safety device.

Codes:

- |  |
|--|
| (a) Both A and R are individually true and R is the correct explanation of A     |
| (b) Both A and R are individually true but R is not the correct explanation of A |
| (c) A is true but R is false   |
| (d) A is false but R, is true  |

72. A proton and an electron having equal velocity are allowed to pass through a uniform magnetic field normal to the field. Which one of the following statements is correct in this connection?

- |  |
|--|
| (a) The proton and the electron experience equal and opposite force    |
| (b) The proton experiences greater force than does the electron        |
| (c) The electron experiences more force than does the proton           |
| (d) No moving charged particle experiences a force in a magnetic field |

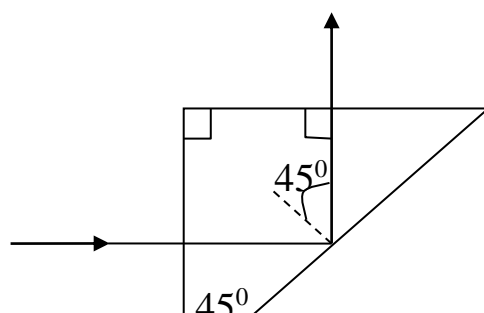
73. A coin in a beaker tilled with water appears raised. This phenomenon occurs because of the property of

- |  |                           |
|--|---------------------------|
| (a) reflection of light                | (b) refraction of light   |
| (c) total internal reflection of light | (d) interference of light |

74. How many sixty watt (60 W) bulbs may be safely used in a 240-V supply with 4-ampere fuse?

- |        |        |
|--------|--------|
| (a) 4  | (b) 8  |
| (c) 12 | (d) 16 |

75. A light ray is incident perpendicular to one face of a 90° prism and is totally internally reflected at the glass-air interface. If the angle of reflection is 45°, we conclude that the refractive index, n:



- ~
- (a)  $n < 1/\sqrt{2}$                       (b)  $n > \sqrt{2}$                       (c)  $n > 1/\sqrt{2}$                       (d)  $n < \sqrt{2}$
76. Carbon forms large number of compounds because it has  
 (a) Allotropes.    (b) Catenation property.  
 (c) Tetravalent structure.                              (d) Variable valence.
77. In preparation of ink, main composition are carbonic acid, boric acid, eosin, glycerin, phenol etc. Presence of carbonic acid and boric acid is to prevent,  
 (a) Fungi.    (b) Bacteria.  
 (c) Viruses    (d) Insects.
78. Which one of the following is not correctly matched?  
 (a) Washing soda –  $\text{Na}_2\text{CO}_3 \cdot 10\text{H}_2\text{O}$   
 (b) Bauxite –  $\text{Al}_2\text{O}_3 \cdot 2\text{H}_2\text{O}$   
 (c) Freon -  $\text{CF}_2\text{Cl}_2$   
 (d) Oil of vitriol –  $\text{H}_2\text{S}_2\text{O}_7$
79. Natural rubber is  
 (a) Polyisoprene.    (b) Polyvinyl chloride.  
 (c) Polychloropropene.                                      (d) Polyfluoropropylene.
80. The correct decreasing order of nitrogen content in the given compound is,  
 (a)  $\text{NH}_2\text{CONH}_2$ ,  $\text{NH}_4\text{Cl}$ ,  $\text{NH}_4\text{NO}_3$ ,  $\text{NH}_4\text{NO}_2$   
 (b)  $\text{NH}_2\text{CONH}_2$ ,  $\text{NH}_4\text{NO}_3$ ,  $\text{NH}_4\text{NO}_2$ ,  $\text{NH}_4\text{Cl}$ ,  
 (c)  $\text{NH}_4\text{Cl}$ ,  $\text{NH}_2\text{CONH}_2$ ,  $\text{NH}_4\text{NO}_3$ ,  $\text{NH}_4\text{NO}_2$   
 (d)  $\text{NH}_2\text{CONH}_2$ ,  $\text{NH}_4\text{NO}_2$ ,  $\text{NH}_4\text{NO}_3$ ,  $\text{NH}_4\text{Cl}$
81. Which of the following statement is/are correct regarding the properties of hard water?  
 (I) Temporary hardness of water is due to presence of soluble magnesium and calcium bicarbonate.  
 (II) Temporary hard water can be removed by boiling.  
 (III) Calgon's method is applied to remove temporary hardness of water.  
 (IV) Permanent hardness of water is removed by Clarke's method.

Choose the correct answer from the following codes:

- (a) I and II (b) I, II and III  
(c) III and IV (d) Only II

82. In safety match box, the rubbing surface has powdered glass and a little red phosphorus while head of the match stick contains only antimony trisulphide and which one of the following material?  
(a)  $KClO_3$  (b)  $KBrO_3$   
(c)  $NaClO_3$  (d)  $KIO_3$
83. Which one of the following is not a polymer?  
(a) Wool (b) Silk  
(c) Cellulose (d) Glucose
84. Freezing point of  $H_2O$  and  $D_2O$  are  $0^\circ C$  and  $3.8^\circ C$  respectively while their boiling points respectively are  $100^\circ C$  and  
(a)  $100^\circ C$  (b)  $101.42^\circ C$   
(c)  $102.42^\circ C$  (d)  $100.42^\circ C$
85. When zinc granules are added in an aqueous solution of  $CuSO_4$  solution, the blue colour of the solution changes to colourless. This is due to  
(a) Cu is less reactive than Zn. (b) Cu is more reactive than Zn.  
(c) Sulphate ion acts as oxidising agent. (d) Sulphate ion acts as reducing agent.
86. During electrolysis, the amount of a metal which can be deposited by 1F of electricity is called as  
(a) Electrochemical series. (b) Spectrochemical series  
(c) Electrochemical equivalent. (d) Equivalent mass.
87. Neutralisation reaction between a base and an acid usually produced water and salt. Which one of the following base does not produce water during neutralisation reaction?  
(a) Ammonia –  $(NH_3)$  (b) Sodium bicarbonate –  $NaCO_3$   
(c) Sodium hydroxide –  $NaOH$  (d) Calcium hydroxide –  $Ca(OH)_2$
88. Which one of the following is not matched correctly?  
(a) RA Millikan – Calculation of charge of electron  
(b) Heitler and London - Valence Bond Theory  
(c) Max Planck - Quantisation of energy  
(d) Arrhenius – Molecular orbital theory.

89. A mixture of red ink and blue ink can be separated by  
(a) Distillation. (b) Chromatography.  
(c) Crystallisation. (d) Fractional Distillation.
90. The temperature at which a solid melts to become a liquid at the atmospheric pressure is called the melting point. The melting point of a solid is an indication of  
(a) Strength of the intermolecular forces of attraction.  
(b) Strength of the intermolecular forces of repulsion.  
(c) Molecular mass of the molecules present.  
(d) Arrangement of the constituent particles of the metal
91. Who among the following discovered antibiotic producing fungus from penicillium genus?  
a) Louis Pasteur b) Sir Alexander Flemming  
c) Stanley Prusiner d) Robert Hooke
92. Which one among the following water-borne diseases is not caused by a bacteria?  
a) Cholera b) Bacillary dysentery  
c) Typhoid d) Hepatitis-A
93. Which of the following human organs is not associated with immune response?  
a) Thymus b) Brain  
c) Spleen d) Lymph node
94. A microbe used as protein supplements is  
a) Chlorella b) Ashbya  
c) Spirulina d) Both (a) and (c)
95. Green house effect is the heating up of the earth's atmosphere, which is due to  
a) u.v rays b)  $\gamma$ -rays  
c) infra-red rays d) x-rays
96. Which of the following groups of plants can be used as indicators of SO<sub>2</sub> pollution of air  
a) Ferns b) Mentha  
c) Lichens d) Hornworts
97. Which one the following is not a Greenhouse gas?  
a) Water vapour b) Methane  
c) Ozone d) Carbon dioxide
98. Consider the following layers of the atmosphere





(c) T.C. Chamberlin

(d) James Jeans

119. Match the following

**List I**

- A. Haldia
- B. Paradip
- C. Marmagao
- D. Tuticorin

**List II**

- 1. Goa
- 2. Tamil Nadu
- 3. West Bengal
- 4. Orissa

Codes

	A	B	C	D
(a)	3	4	1	2
(b)	3	2	4	1
(c)	1	2	4	3
(d)	1	4	2	3

120. 'Lichens and Mosses' are the characteristic vegetation of

- (a) Hot desert region
- (b) Mediterranean region
- (c) Tundra region
- (d) temperate region

121. Continental Drift Theory is given by

- (a) Karl Marx
- (b) Wegener
- (c) Hawkins
- (d) Malthus

122. The velocity of the rotation of the earth is the greatest at the

- (a) Equator
- (b) Tropic of cancer
- (c) Antarctic circle
- (d) North pole

123. Which of the following is not correctly matched?

- (a) Isobars --- same pressure area
- (b) Isohyets --- same rainfall area
- (c) Isotherms --- same temperature area
- (d) Isohels --- same salty area

124. Which one of the following meridian is designated as International Date Line?

- (a)  $82\frac{1}{2}^\circ$
- (b)  $0^\circ$
- (c)  $180^\circ$
- (d)  $150^\circ$



125. The rate of decreasing temperature in troposphere is 1°C for every \_\_\_\_ meters increasing height from the surface of the earth.  
(a) 150 (b) 210  
(c) 165 (d) 100
126. Stratification, Fossilisation, porosity and rapid erosion are some characteristics of a particular rock. Identify the rock.  
(a) Igneous (b) Sedimentary  
(c) Metamorphic (d) None of them
127. Which one of the following characterises the cold weather season in India?  
(a) Warm days and warm nights (b) Cool days and cold nights  
(c) Cold days and warm nights (d) Warm days and cold nights
128. The intensity of sun ray on the earth depends on  
(a) Latitude (b) Wind  
(c) Nature of terrain (d) Altitude
129. The interval between two high tides is approximately  
(a) 24 h (b) 6 h  
(c) 12 h (d) 8 h
130. The Indian Standard Time is ahead of Greenwich Mean Time (GMT) by  
(a) 5h and 30min (b) 6h and 30min  
(c) 2h and 30min (d) 8h and 30min
131. Which one of the following gives the correct chronological order of the Vedas.  
(a) Rigveda, Samaveda, Atharvaveda, Yajurveda.  
(b) Rigveda, Samaveda, Yajurveda, Atharvaveda.  
(c) Atharvaveda, Yajurveda, Samaveda, Rigveda.  
(d) Rigveda, Yajurveda, Samaveda, Atharvaveda.
132. Where did Ashoka send his messengers to spread ideas about 'Dharma'. Choose the correct answer from the code given below.  
(i) Syria (ii) Egypt (iii) Greece (iv) Sri Lanka  
(a) Only (i) (b) Only (ii) and (ii)  
(c) Only iv (d) All of them.
133. Which of the following is the correct order of Secretary Generals of the UNO?  
i. Boutros BontrosGhaliii. Kofi Anan  
iii. Ban Ki Moon iv. JevierPesezdeCullar

- (a) I, ii, iii, iv (b) iv, iii, ii, i  
(c) iv, I, ii, iii (d) iii, ii, I, iv
134. Quit India Resolution was passed by the Indian National Congress in its-  
(a) Lahore Session (b) Bombay Session  
(c) Calcutta Session (d) Lucknow Session
135. Who was the main author of the Declaration of Independence?  
(a) Thomas Paine (b) Thomas Jefferson  
(c) Ben Franklin (d) George Washington
136. Who advocated government based on Social contract?  
(a) Darwin (b) Spencer  
(c) Rousseau (d) Montesquieu
137. Henry Vivian Derozio Started Young Bengal Movement with the inspiration of which revolutionary ideas?  
(a) Industrial Revolution (b) French Revolution  
(c) American Revolution (d) Marxian Theory
138. Who was overthrown in the Glorious Revolution?  
(a) Louis XIV (b) Charles I  
(c) James II (d) William and Mary.
139. Which among the following is not a correct statement regarding Jyotiba Phule?  
(a) He used dalit word for the first time in nineteenth century.  
(b) He was the staunch supporter of Mahatma Gandhi's Harijan Sevak Sangh.  
(c) He is known as the author of Gulanagiri.  
(d) He formed Satyashodhak Samaj in 1873.
140. Which among the following is not a literary work of Mahatma Gandhi?  
(a) Hind Swaraj (b) Indian Opinion  
(c) Yugantar (d) Young India.
141. Which of the following is an indirect tax?  
(a) Corporation tax (b) Excise duty  
(c) Wealth tax (d) Capital Gains tax
142. The standard of living in a country represented by its  
(a) National income (b) Per capita income  
(c) Poverty ratio (d) Unemployment rate
143. The largest contribution in India's National Income is from  
(a) Primary Sector (b) Secondary sector  
(c) Tertiary sector (d) Any of the above

144. Open market operations of Central Bank are sale and purchase of  
(a) Foreign Currencies (b) Corporate securities  
(c) Trade bills (d) Government Securities
145. Economic planning is a subject  
(a) In the Union List (b) In the state list  
(c) In the Concurrent list (d) Unspecified in any Special list.
146. When was the Reserve Bank of India taken over by the Government?  
(a) 1945 (b) 1949  
(c) 1952 (d) 1956
147. What are Open Market Operations?  
(a) Activities of SEBI registered brokers.  
(b) Selling of securities by the RBI.  
(c) Selling of gift-edged securities by the government.  
(d) None of the above.
148. The Preventive Detention Act has a restraining effect on  
(a) Right to Equality (b) Right to Freedom  
(c) Right to Religion (d) Right to Constitutional Remedies.
149. Vice-President of India is elected by an electoral college consisting of  
(a) Members of both Houses of Parliament  
(b) Members of RajyaSabha  
(c) Members of LokSabha.  
(d) Members of the State Assemblies.
150. Who was the first Chief Election Commissioner of India?  
(a) SukumarSen (b) Bo Joti  
(c) KukSundaram (d) Swaminathan

